

REFERENCE : KI0906

SIZES : U

COMPOSITION :

Main fabric : Polyester 840D Dobby 100% Polyester

Lining : Polyester 210D PU backing - 75 As internal lining.

100%polyester

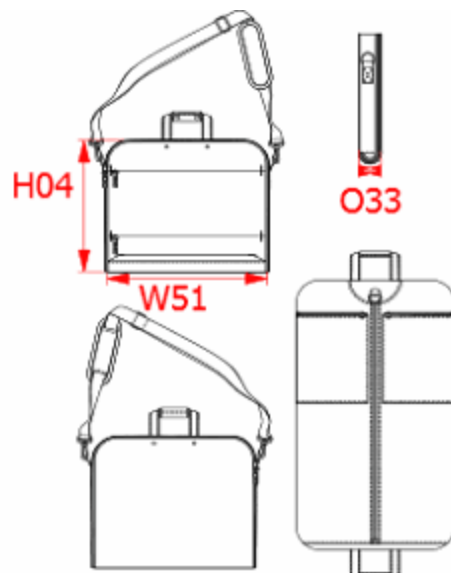
Padding : special PAD for shoulder & shoulder straps of backpacks On inside of handles pad closing shape + shoulder pad.

FABRIC CONSTRUCTION AND FINISHING :

Polyester 840D Dobby PU backing

ARTICLE WEIGHT :

800 gr/pc



DESCRIPTION		COLORS	PANTONE SERIGRAPHIE
Français : Housse de voyage English : Garment bag Nederlands : Garment bag Deutsch : Kleidersack Español : Bolsa porta trajes Italiano : Borsa porta abiti Português : Porta fatos		Black	Black
MEASUREMENT			
Description	U		
H04 Hauteur coté / Side length	45		
W51 Total width	55		
O33 Deep of bottom part	8		
PACKING			
Box	20 pcs / box U => L:58cm W:50cm H:45cm GW:18,2Kg NW:16Kg		